

Deluxe Swinging door system Data sheet

General description

Extralum S.A. commercializes DELUXE Swinging Doors for applications such as shops, institutional buildings, etc.


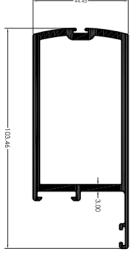
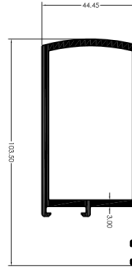
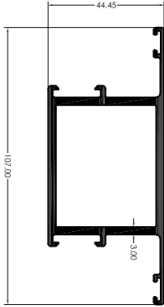
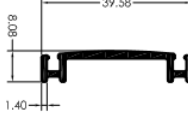
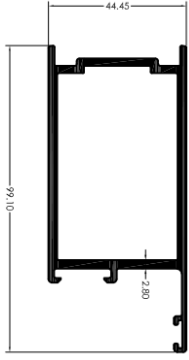
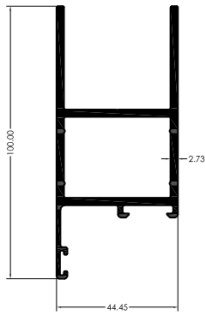
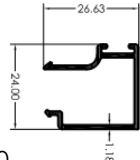
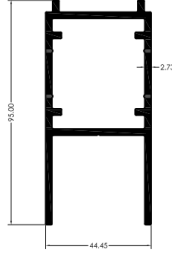
The design is modern and minimalist, it has 90° cuts in the frames, giving strength to the system from its assembly. In addition, the thickness of the profiles ranges from 2.5mm to 3mm, so they give greater resistance than other products.

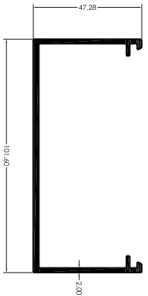

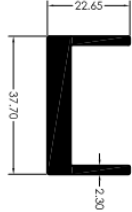
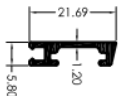

The door has several elements that make such as:

- Straight and modern profiles,
- [Weatherstrips](#) in all frames and [outerframes](#), among others.
- Overhead Concealed Door Closers with capacity for doors up to 120kg with opening at 105°
- Independent door sweep.
- Bottom frame extension profile for applications requiring increased support and security.
- Horizontal Cross Rail
- Bottom threshold.
- Central lock and flash bolt.
- Central adapter with spring that allows greater adjustment in central light between two-leaf doors.
- Digital Central lock



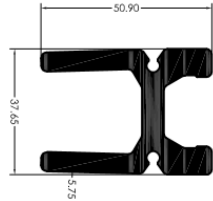
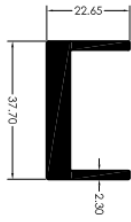
System Components

PROFILE LIST

ILLUSTRATION / CODE / DESCRIPTION / WEGHT (gr/m)	ILLUSTRATION / CODE / DESCRIPTION / WEGHT (gr/m)	ILLUSTRATION
 <p>AO90 BOTTOM TRESHOLD 12.70mm DOOR 1167.93</p>	 <p>EX2714 SIDE FRAME WEATHERSTRIP EX DELUXE 552.02</p>	 <p>EX2715 EX DELUXE SIDE FRAME 540.31</p>
 <p>EX2716 EX DELUXE CROSS RAIL 547.15</p>	 <p>EX2717 WEATHERSTRIP ADAPTER EXT DELUXE 127.79</p>	 <p>EX2718 CENTRAL FRAME EXT DELUXE 541.18</p>
 <p>EX2719 TOP BOTTOM FRAME EXT DELUXE 538.37</p>	 <p>EX2720 12.00mm EXT DELUXE GLASS STOP 171.77</p>	 <p>EX2721 BOTTOM FRAME EXTENSION EXT DELUXE 562.89</p>

 <p>EX2722 EXT DELUXE TOP OUTER FRAME 414.16</p>	 <p>EX2723 FRAME COVER EXT DELUXE 223.24</p>	 <p>EX2724 DELUXE TOP FRAME ADAPTER 151.93</p>
 <p>EX22726 BOTTOM DOOR SWEEP EXT DELUXE 76.40</p>	 <p>EX2727 BOTTOM DOOR SWEEP COVER EXT DELUXE 552.02</p>	

ACCESSORIES LIST

DESCRIPTION	ILLUSTRATION
 <p>DOOR CLOSING DOUBLE ACTION SWING DOOR DELUXE</p>	 <p>FLOSH BOLT SWING DOOR DELUXE</p>
 <p>TOP AND BOTTOM FRAME CORNER CONNECTOR DELUXE</p>	 <p>TOP FRAME ADAPTOR FOR CONCEALED OVERHEAD DOOR CLOSER DELUXE</p>

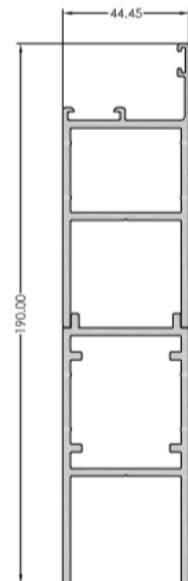
 <p>THREADED WASHER 3/8 FOLDING DOOR DELUXE</p>	 <p>SPIRAL SPRING FOR SWING DOOR DELUXE ADAPTER</p>
 <p>LOCK AND COMPLEMENTS DELUXE SWING DOOR</p>	 <p>ROUND PUSH BAR DELUXE SWING DOOR IN 36", 42" AND 48"</p>
 <p>1/4" THREADED BAR PREFABRICATED MULTIPURPOSE</p>	 <p>EUROPE MULTIPURPOSE WEATHERSTRIP EX2727 AND EX2714</p>
 <p>WETHERSTRIP DELUXE SWING DOOR EX2717</p>	 <p>PRESSURE GASKET 10.50 mm PREFABRICATED MULTIPURPOSE PRESSURE PACKAGING 12 mm PREFABRICATED MULTIPURPOSE ACCORDING TO USE</p>
 <p>SCREW AVE PHI 8MM X 1/2 INCH WITH SLOT DELUXE SWING DOOR</p>	 <p>SQUARE WASHER ASSEMBLY SCREW 3/8 X 1/2 DELUXE SWING DOOR</p>

 <p>DELUXE DOOR TOP FRAME COVER</p>	 <p>SCREW 10X 2 AVE PHI</p>
 <p>PILASTRA DOOR STOP DOOR SWING DELUXE</p>	 <p>WEATHERSTRIP SWEEP DOOR – DELUXE SWING DOOR</p>
 <p>PLASTIC GLAZING WEDGE 2mm, 3mm and 6mm FOR MULTIPURPOSE EUROPEAN GLASS</p>	
<p>Digital Central Lock M301 Europa Abatible</p>	

With the EX2721 profile, BOTTOM FRAME EXTENSION EXT DELUXE , we can generate a greater height in the bottom frame of the door, guaranteeing greater protection for the glass.

Code	Finishes
10	Natural Clear Anodized
35	Bronce Musgo Bronze <u>Anodized</u>
90	Negro Black <u>Anodized</u>

Note: Other finishes will be available upon request and delivery times to be agreed.



TYPES OF GLASS

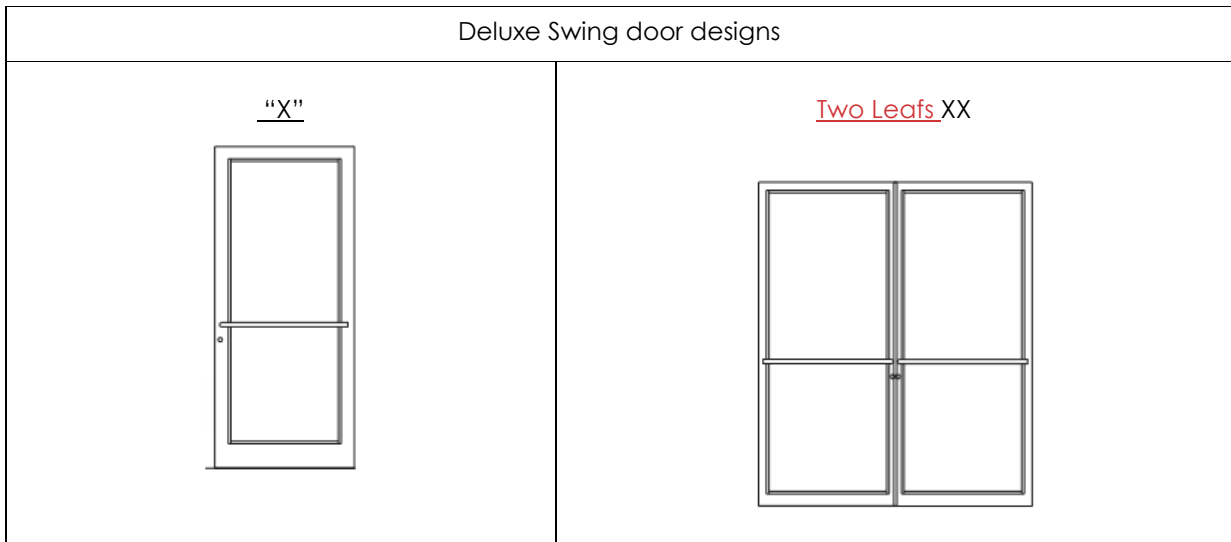
Among the glasses that can be used are:

- Monolithic FUERTEX® safety glass with thicknesses: 8mm, 10mm and 12mm.
- VILAX® laminated glass thickness: 44.1 - 66.1 - 55.1

Note: For a better thickness selection, the data of speed and maximum loads of wind and height above the ground level at which the System will be installed must be provided.

Typical designs

There are typical designs for the system, such as those indicated below:



Restrictions

The following chart contains the minimum and maximum openings measurements which must be respected for the proper functioning of the system.

Width		High	
Minimun	Maximum	Minimun	Maximum
800 mm	1250 mm	1000 mm	3000 mm

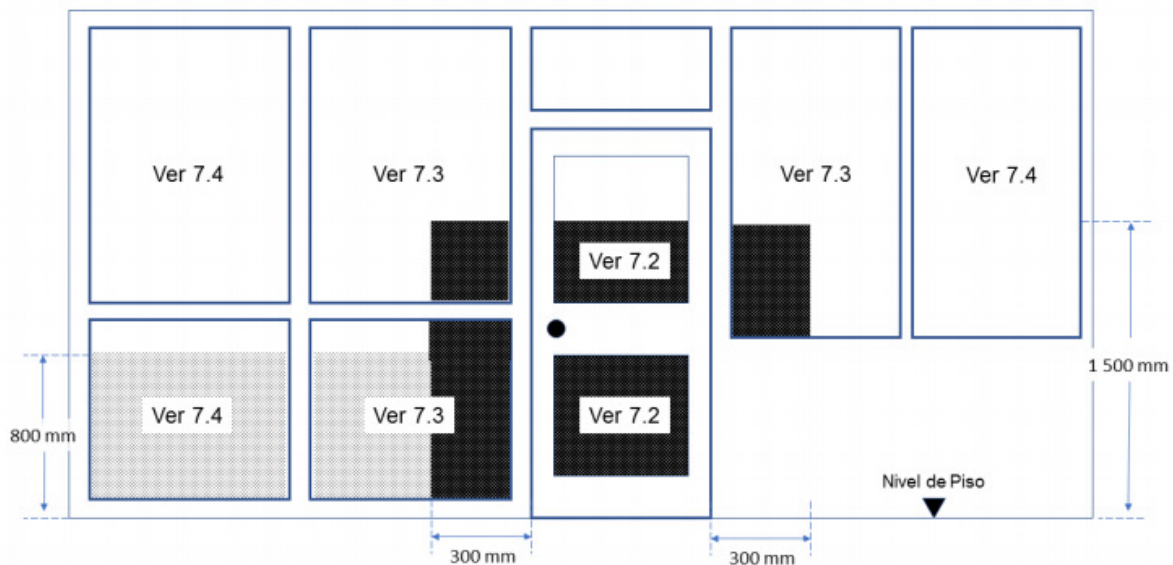
Width		High	
Minimun	Maximum	Minimun	Maximum
1600 mm	2500 mm	1000 mm	3000 mm

Note: The use of safety glasses is recommended.

The application of full section # 7 of the INTE C312: 2019 standard is recommended, where it specifies the use of safety glass in glazed areas considered risky, such as:

- Section 7.2: Doors

- Section 7.3: Side door panels
- Section 7.4: Low-rise glazed areas



Recommendations

- Use original accessories.
- Before beginning the installation of the door, the integrity of the product must be verified, and it must be verified that the structure or frame has the necessary conditions of solidity and stability and that the plumbs are correct.
- Use suitable screws such as stainless steel.
- Use silicone on the entire internal perimeter of the system and on the outside, only on the sides and top for better waterproofing.
- Keep free of debris, dust and do not apply any type of lubricant that will harm the operation of the product.
- Work respecting the safety regulations (footwear, glasses, gloves, helmet); work in a sufficiently light and ventilated environment; do not wear clothes that can catch.
- It is recommended to take into account for the choice of the appropriate system additional arguments such as historical wind and rain data of the place, the geographical location of the project, the environment (urban, rural, mountainous, coastal), the orientation with respect to the cardinal points, the presence or absence of eaves and / or vegetal screens, etc.
- It is recommended to previously consult Extralum in any application in which the requirements of tightness, sealing and wind are a priority, in order to obtain the most appropriate recommendation for the case.

The information and calculations provided are offered as technical assistance, but DO NOT CONSTITUTE A GUARANTEE OF FUNCTIONALITY OR PERFORMANCE FOR ANY PARTICULAR PURPOSE. Actual performance may vary in particular applications.

If you have any questions, consult the Sales Department of Extralum S.A.

www.extralum.com